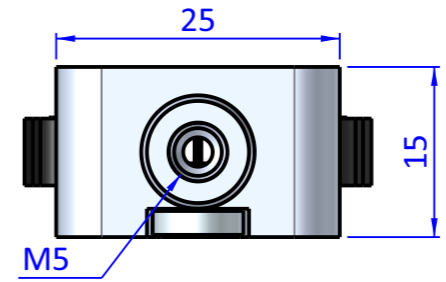
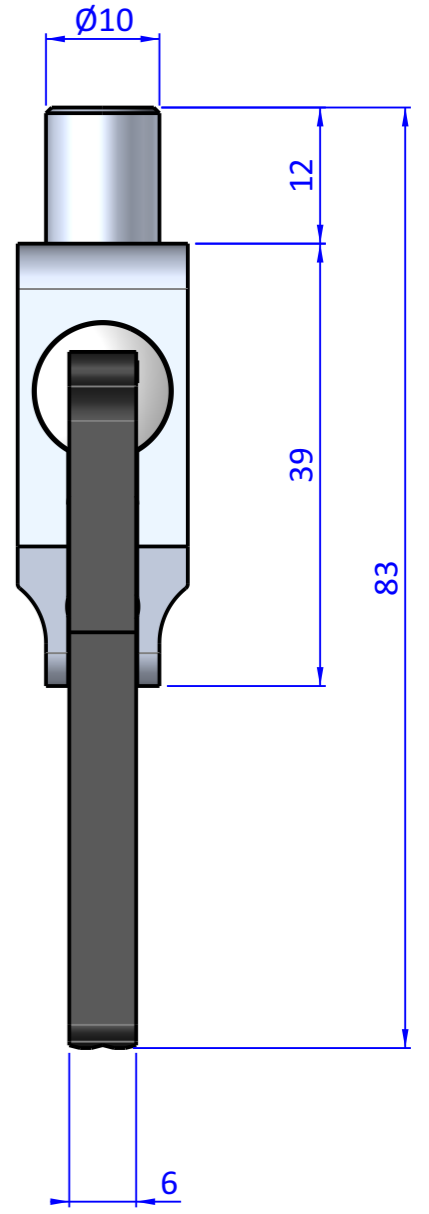
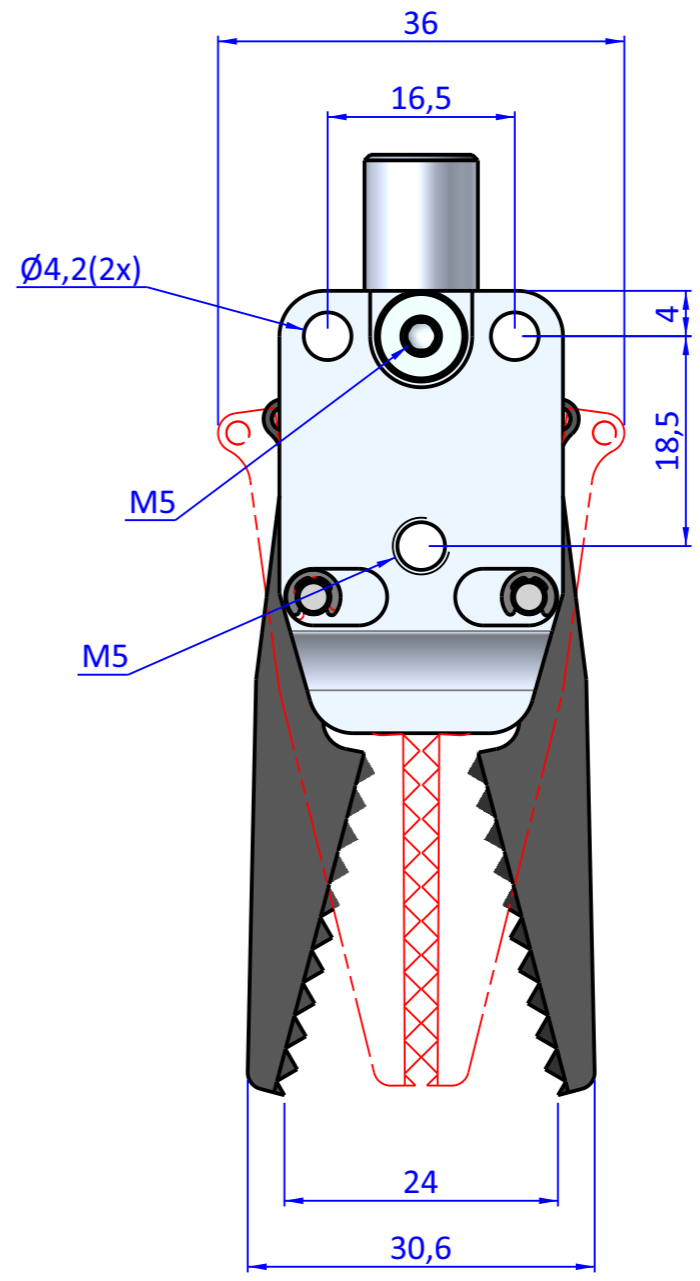
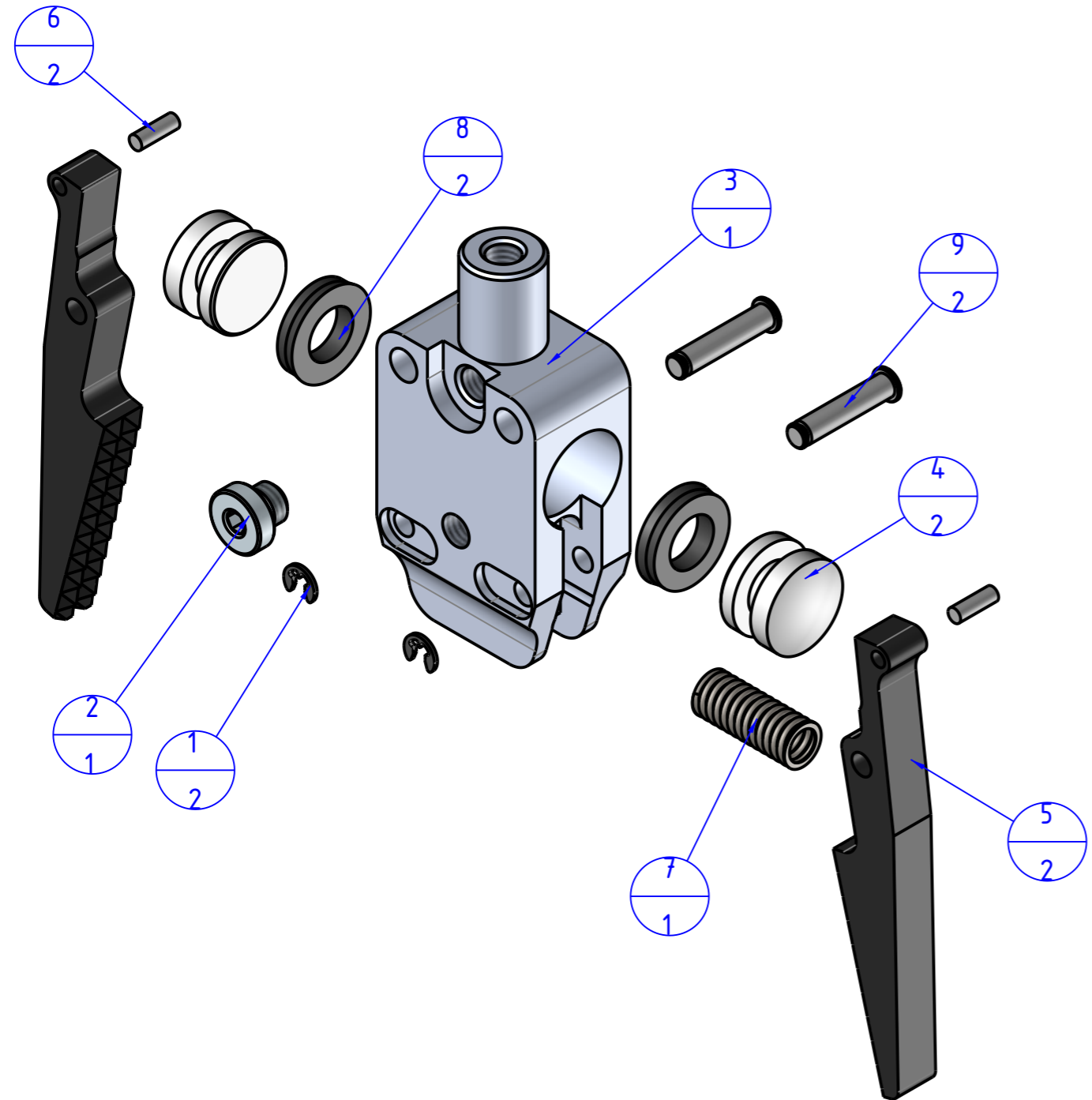



THE PROPERTY OF THE DRAWING IS ESTABLISHED BY LAW. IT IS FORBIDDEN TO PRODUCE OR SHOW IT TO THIRD PART. WITHOUT A WRITTEN AGREEMENT.

Item	Name	Qty.
1	A.ELA.RA1.9	2
2	CA.08.14.013	1
3	GZA.10.12.1.L.01	1
4	GZA.10.12.2	2
5	GZA.10.12.3	2
6	GZA.10.12.9	2
7	M.6x25.SH	1
8	PSP.1269255	2
9	SP.3x15SS	2



Format A3
UNI 936-76

 FPS SERVICES AUTOMATION		DESIGNED FROM		REVIEW
		FPS Automation		A
GENERAL TOLERANCE		DATE	WEIGHT	
UNI - ISO 2768		29/05/2023	0,038kg	
CLASSE f		CODE		
		CA.GZA.10.12		CA.GZA.10.12